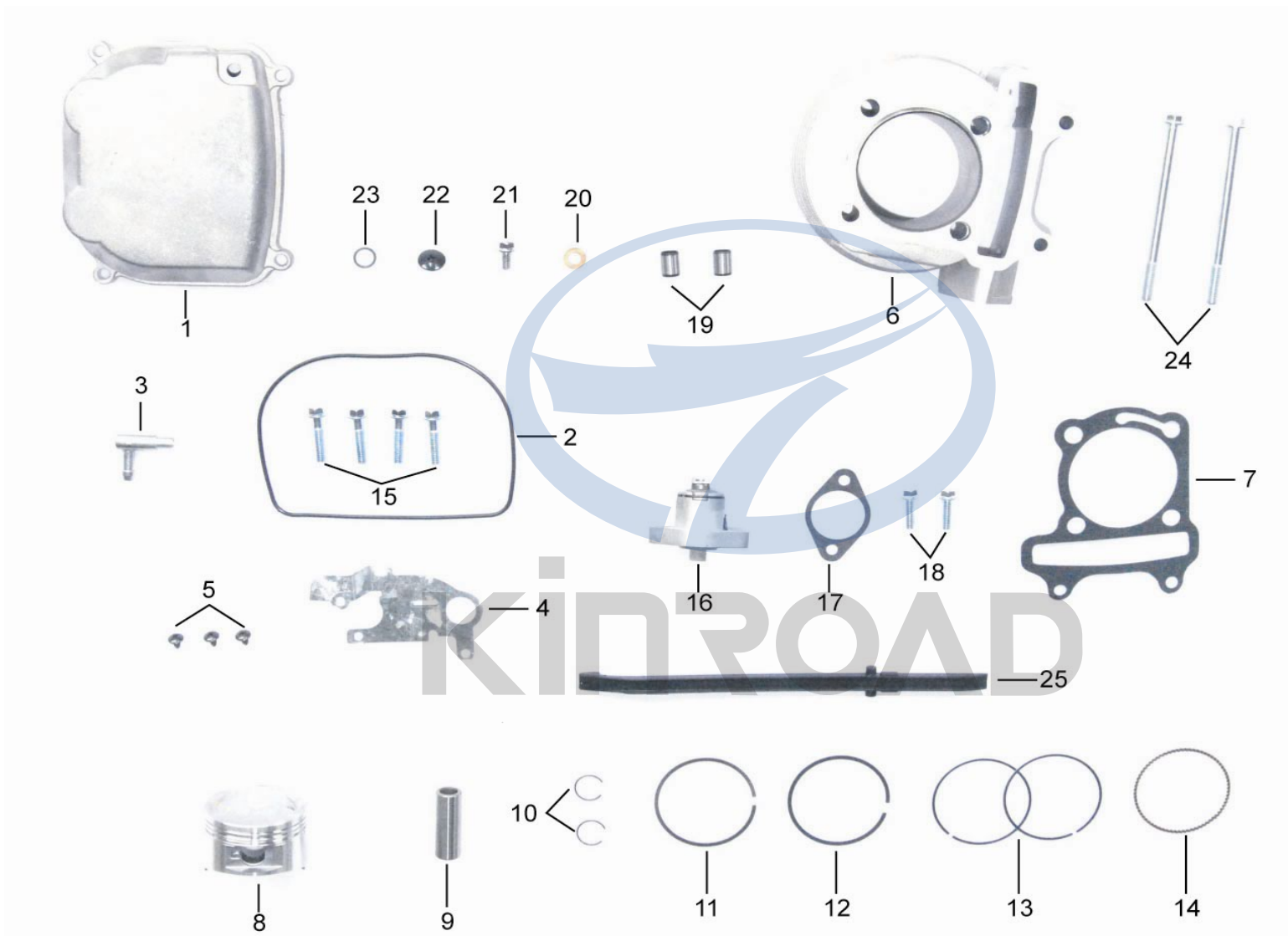


# XT150GK ENGINE



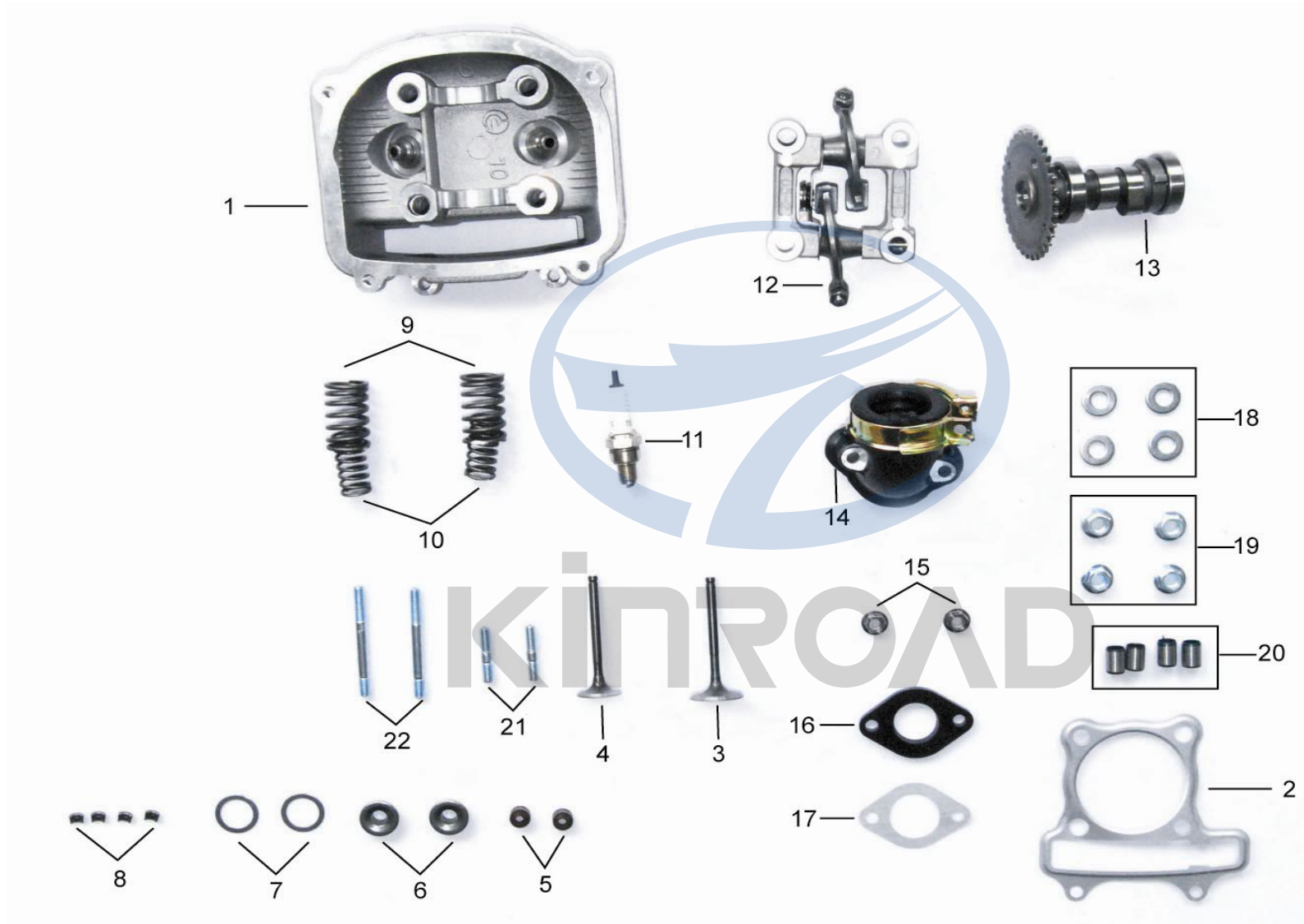
KINROAD XINTIAN Motorcycle Manufacture CO.,LTD

## XT150GK ENGINE

NO.	Part No.	Description	Description in English	数量Qty	备注Remark
1	157QMJ-010001	缸头盖	CYLINDER COVER	1	
2	157QMJ-010002	缸头盖密封圈	SEAL RING, CYLINDER COVER	1	
3	157QMJ-010003	缸头盖通气管接头	vent pipe connecter, cylinder cover	1	
4	157QMJ-010004	缸头盖挡油板	OIL BAFFLE, CYLINDER COVER	1	
5	157QMJ-010005	圆头十字螺丝M4×8	Cross round screwsM4×8	3	
6	157QMJ-010006	气缸体	CYLINDER	1	
7	157QMJ-010007	气缸体垫片	cylinder cushion	1	
8	157QMJ-010008	活塞	piston	1	
9	157QMJ-010009	活塞销	piston pin	1	
10	157QMJ-010010	活塞销卡簧	PISTON CIRCLIP	2	
11	157QMJ-010011	一道环	RING I	1	
12	157QMJ-010012	二道环	RING II	1	
13	157QMJ-010013	刮片环	wiper ring	2	
14	157QMJ-010014	油环	OIL RING	1	
15	157QMJ-010015	六角法兰螺丝M6×25	Hexagon flange bolt M6×25	4	
16	157QMJ-010016	涨紧器	Chain Adjuster	1	
17	157QMJ-010017	涨紧器垫片	Gasket Cam Chain Adjuster	1	
18	157QMJ-010018	六角法兰螺丝M6×22	Hexagon flange bolt M6×22	2	
19	157QMJ-010019	定位销10×14	location pin 10×14	2	
20	157QMJ-010020	铜垫6.5×12.5×1.0	copper cushion 6.5×12.5×1.0	1	
21	157QMJ-010021	六角法兰M6×12	Hexagon flange bolt M6×12	1	
22	157QMJ-010022	圆头十字螺丝M6×6	Cross recessed round screwsM6×6	1	
23	157QMJ-010023	“O”环9.5×1.5	“O” ring9.5×1.5	1	
24	157QMJ-010024	六角法兰M6×100	Hexagon flange bolt M6×100	2	
25	157QMJ-010025	正时链条导向杆	reaction member	1	

# XT150GK ENGINE

2

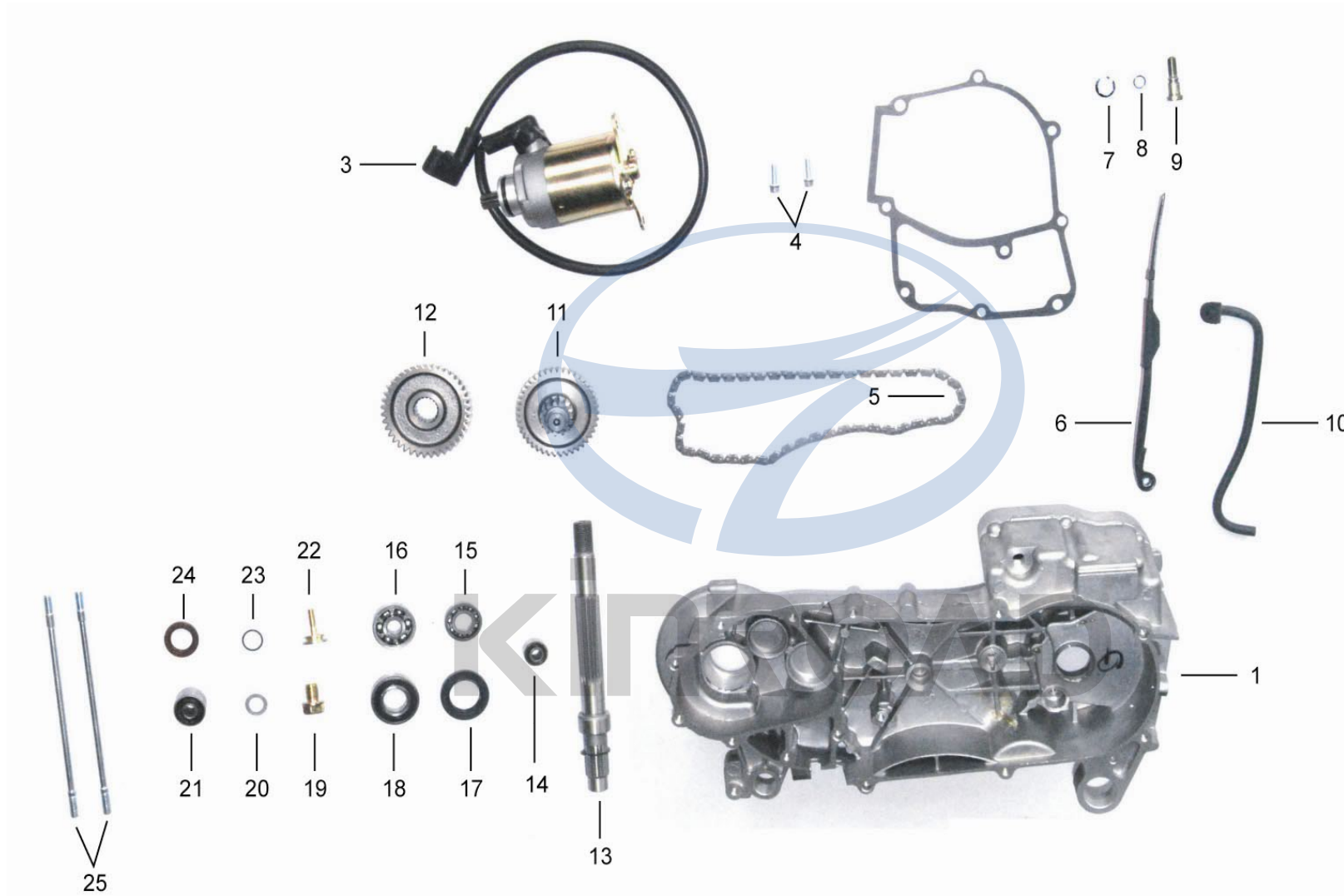


KINROAD XINTIAN Motorcycle Manufacture CO.,LTD

## XT150GK ENGINE

NO.	Part No.	Description	Description in English	数量Qty	备注Remark
1	157QMJ-020001	气缸头	Cylinder Head	1	
2	157QMJ-020002	气缸头垫片	cylinder cushion	1	
3	157QMJ-020003	进气门	INTAKE VALVA	1	
4	157QMJ-020004	排气门	EXHAUST VALVA	1	
5	157QMJ-020005	气门油封	OIL SEAL VALVA	2	
6	157QMJ-020006	承盘	OIL PAN	2	
7	157QMJ-020007	弹簧垫	washer	2	
8	157QMJ-020008	气门锁扣	twistlock	4	
9	157QMJ-020009	气门外弹簧	OUT SPRING VALVA	2	
10	157QMJ-020010	气门内弹簧	IN SPRING VALVA	2	
11	157QMJ-020011	火花塞	Plug Spark	1	
12	157QMJ-020012	凸轮轴摇臂固定座	Arm Rocker, Holder Cam	1	
13	157QMJ-020013	凸轮轴	Shaft Comp Cam	1	
14	157QMJ-020014	进气管	INTAKE PIPE	1	
15	157QMJ-020015	六角带垫螺母M6	Hexagon flange bolt M6	2	
16	157QMJ-020016	胶木垫	Bakelite pad	1	
17	157QMJ-020017	胶木垫垫片	WASHER, Bakelite pad	1	
18	157QMJ-020018	垫片8.2×18.0×2.0	washer8.2×18.0×2.0	4	
19	157QMJ-020019	六角带垫螺母M8	NUT M8	4	
20	157QMJ-020020	定位销10×14	location pin 10×14	4	
21	157QMJ-020021	双头螺丝M6×32	Bolt Stud 6*32	2	
22	157QMJ-020022	双头螺丝M6×64	Bolt Stud 6*64	2	

# XT150GK ENGINE

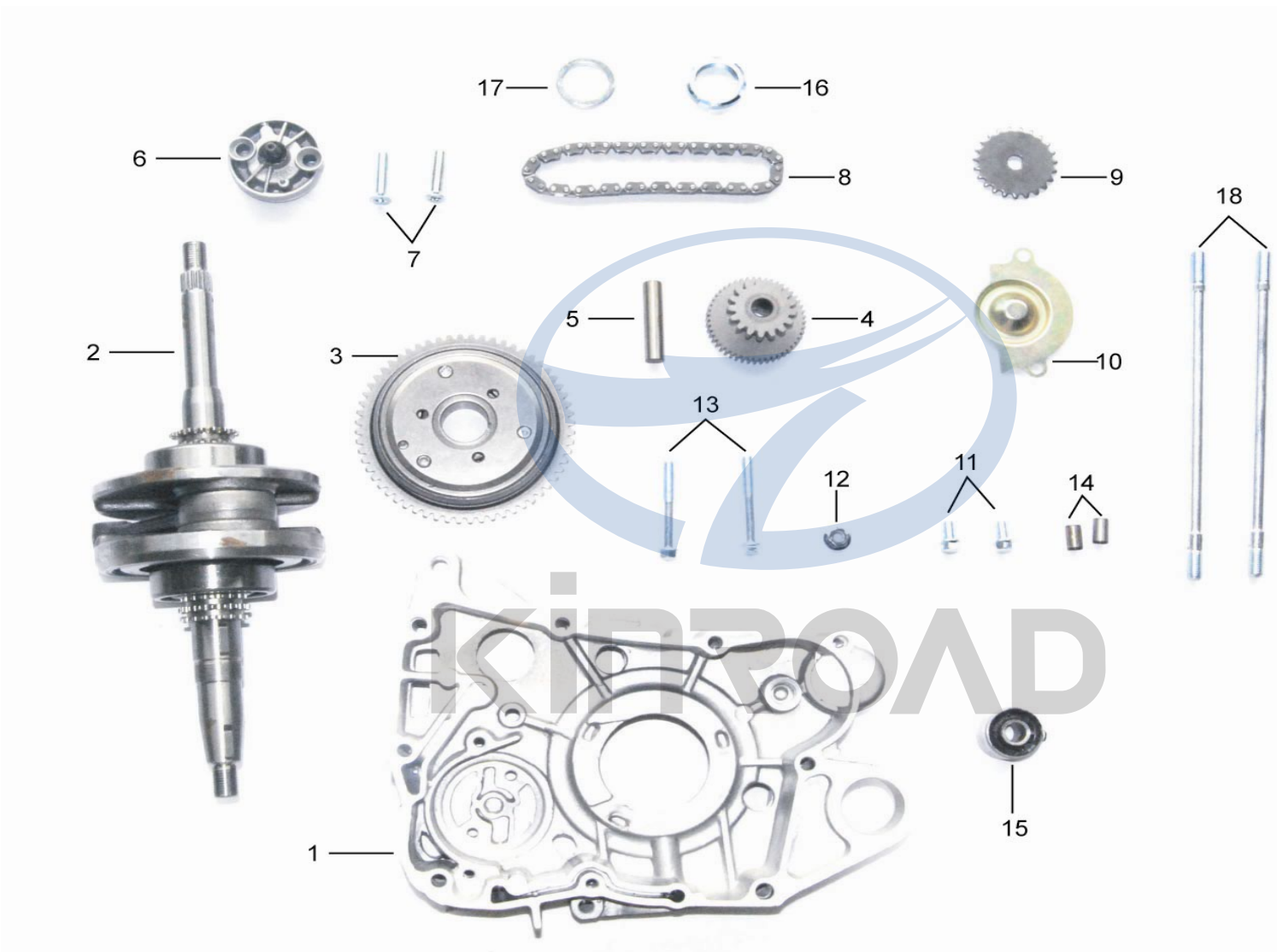


KINROAD XINTIAN Motorcycle Manufacture CO., LTD

## XT150GK ENGINE

NO.	Part No.	Description	Description in English	数量Qty	备注Remark
1	157QMJ-030001	左曲轴箱体	left crankcase	1	
2	157QMJ-030002	曲轴箱体垫片	case cushion	1	
3	157QMJ-030003	起动马达	starting motor	1	
4	157QMJ-030004	六角带垫螺丝M6×16	Hexagon flange bolt M6×16	2	
5	157QMJ-030005	正时链条	Chain Cam	1	
6	157QMJ-030006	涨紧条	Chain Adjuster	1	
7	157QMJ-030007	六角带垫螺母M8	NUT M8	1	
8	157QMJ-030008	“O”环7.5×1.5	“O” RING 7.5×1.5	1	
9	157QMJ-030009	刹车固定销	BRAKE PIN	1	
10	157QMJ-030010	通气管	schnorkel	1	
11	157QMJ-030011	副轴组件	LAYSHAFT PART	1	
12	157QMJ-030012	最终齿轮	Final gear	1	
13	157QMJ-030013	最终轴	FINAL SHAFT	1	
14	157QMJ-030014	缓冲衬套（小）	CUSHION (SMALL)	1	
15	157QMJ-030015	轴承6002	SHAFT6002	1	
16	157QMJ-030016	轴承6301	SHAFT6301	1	
17	157QMJ-030017	油封20×32×6	OIL SEAL	1	
18	157QMJ-030018	轴承6004RS	SHAFT6004RS	1	
19	157QMJ-030019	放油螺丝M12×15	oil-out screw M12×15	1	
20	157QMJ-030020	铝垫12.2×20.0×2.0	AL WASHER	1	
21	157QMJ-030021	缓冲衬套（大）	CUSHION (BIG)	1	
22	157QMJ-030022	平头内六角螺丝M6×21.5	BOLT, HEX IN M6×21.5	1	
23	157QMJ-030023	“O”环15.2×1.5	“O” RING 15.2×1.5	1	
24	157QMJ-030024	油封19.8×30×5	OIL SEAL 19.8×30×5	1	
25	157QMJ-030025	双头螺丝M8×195.5	Bolt Stud M8×195.5	2	

# XT150GK ENGINE



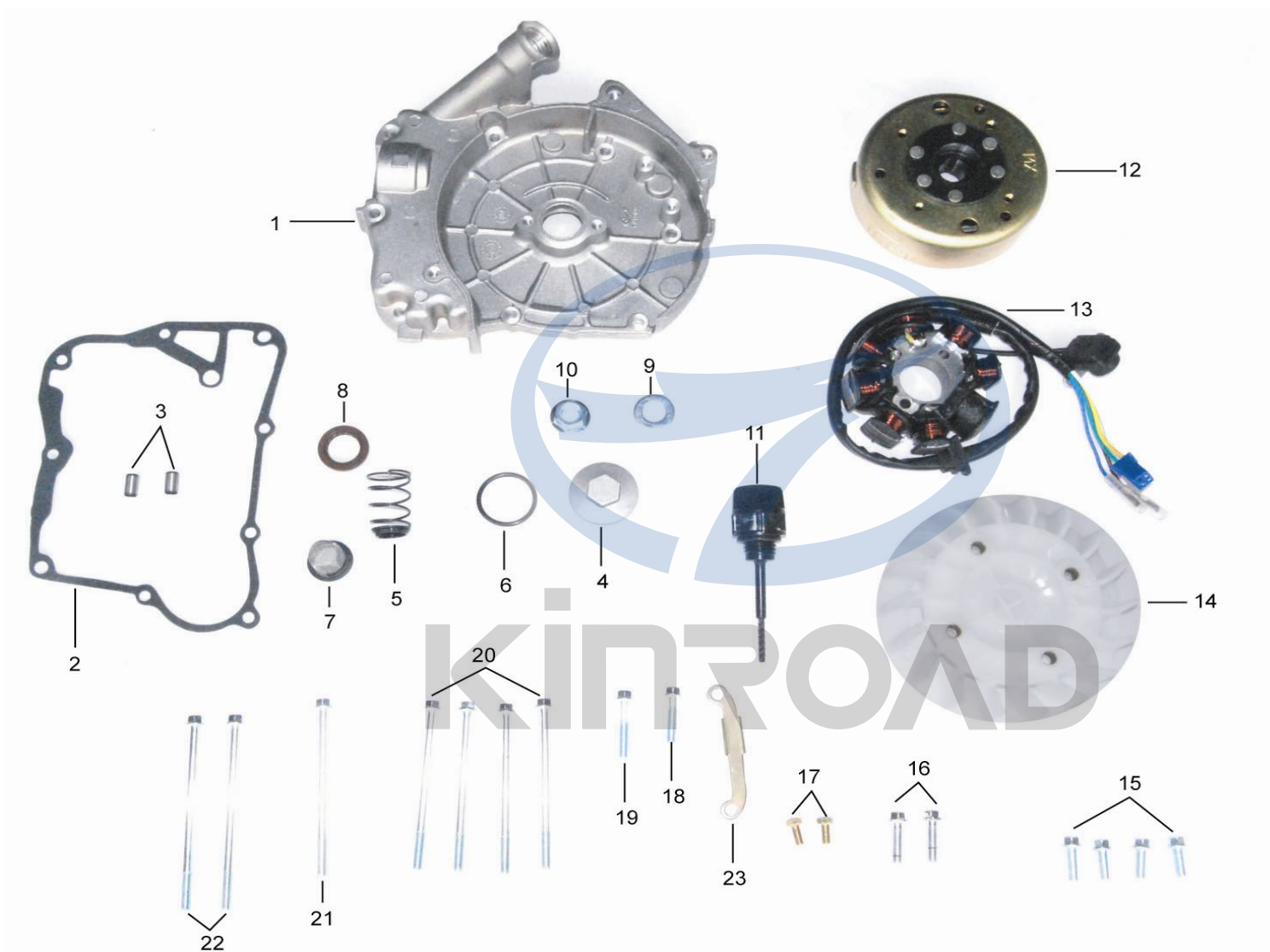
KINROAD XINTIAN Motorcycle Manufacture CO., LTD

## XT150GK ENGINE

NO.	Part No.	Description	Description in English	数量Qty	备注Remark
1	157QMJ-040001	右箱体	right crankcase	1	
2	157QMJ-040002	曲轴	crank	1	
3	157QMJ-040003	超越离合器	overrunning clutch	1	
4	157QMJ-040004	双联齿轮	dual gear	1	
5	157QMJ-040005	双联齿轮轴	dual gear shaft	1	
6	157QMJ-040006	机油泵	Oil Pump	1	
7	157QMJ-040007	平头十字螺丝M6×30	BOLT M6×30	2	
8	157QMJ-040008	机油泵链条	oil pump chain	1	
9	157QMJ-040009	机油泵链轮	oil pump chain wheel	1	
10	157QMJ-040010	机油泵压板	oil pump plate	1	
11	157QMJ-040011	六角法兰螺丝M6×12	Hexagon flange bolt M6×12	2	
12	157QMJ-040012	六角带垫螺母M6	NUT M6	1	
13	157QMJ-040013	六角法兰螺丝M6×50	Hexagon flange bolt M6×50	2	
14	157QMJ-040014	定位销8×14	LOCATIOB PIN8×14	2	
15	157QMJ-040015	缓冲衬套（大）	CUSHION (BIG)	1	
16	157QMJ-040016	四爪螺母M21×6.2	NUT M21×6.2	1	
17	157QMJ-040017	垫片22.2×31.0×2.2	WASHER22.2×31.0×2.2	1	
18	157QMJ-040018	双头螺丝M8×187.5	SCREW M8×187.5	2	



# XT150GK ENGINE

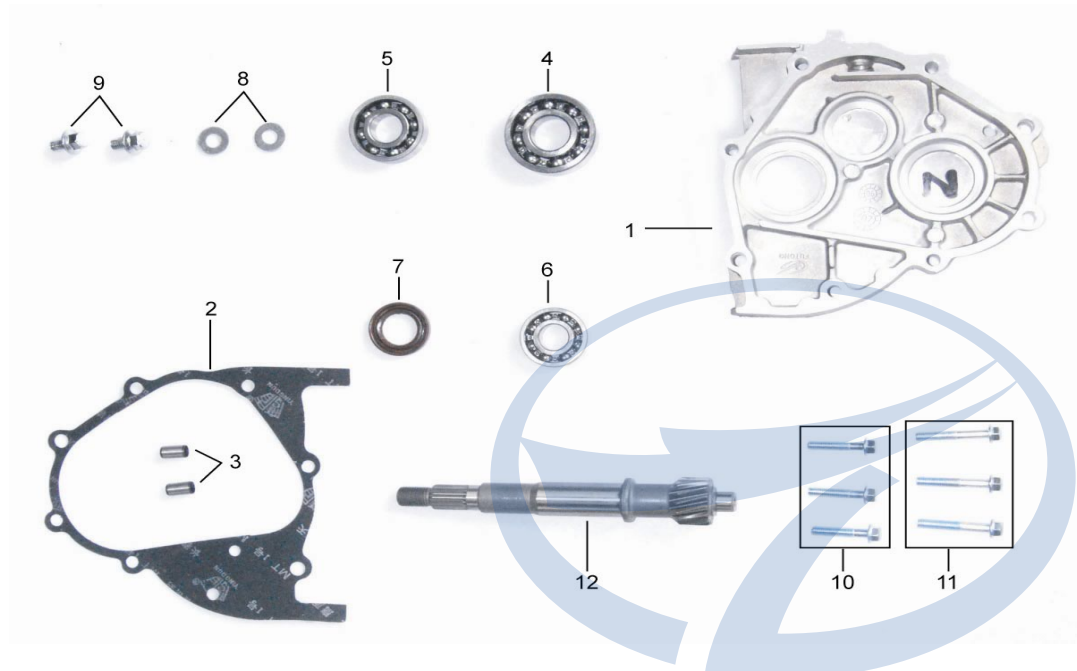


KINROAD XINTIAN Motorcycle Manufacture CO.,LTD

## XT150GK ENGINE

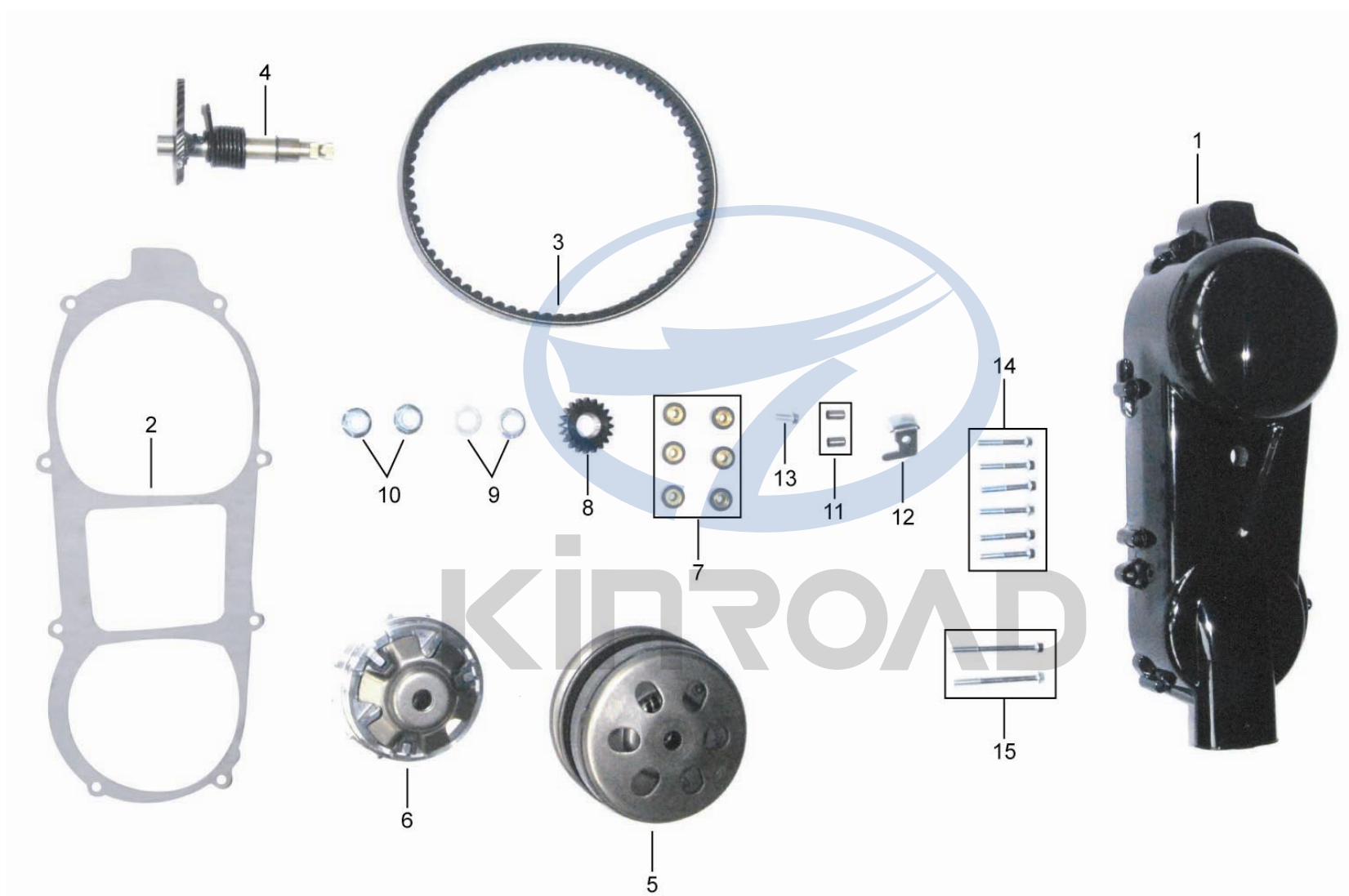
NO.	Part No.	Description	Description in English	数量Qty	备注Remark
1	157QMJ-050001	右盖	COVER R	1	
2	157QNJ-050002	右盖垫片	right cover cushion	1	
3	157QMJ-050003	定位销8×14	LOCATION PIN 8×14	2	
4	157QMJ-050004	机油滤网盖	Oil filter net COVER	1	
5	157QMJ-050005	机油滤网弹簧	spring ,oil filter net	1	
6	157QMJ-050006	“O”环29.5×3	“O” RING 29.5×3	1	
7	157QMJ-050007	机油滤网	Oil filter net	1	
8	157QMJ-050008	油封19.8×30×5	OIL SEAL 19.8×30×5	1	
9	157QMJ-050009	钢垫13.0×24.0×2.0	STEEL WASHER13.0×24.0×2.0	1	
10	157QMJ-050010	六角带垫螺母M12	NUT M12	1	
11	157QMJ-050011	机油尺	dipstick	1	
12	157QMJ-050012	磁电机转子	magneto rotor	1	
13	157QMJ-050013	磁电机定子	magneto stator	1	
14	157QMJ-050014	风扇叶轮	FAN Impeller	1	
15	157QMJ-050015	六角法兰螺丝M6×18	hexagon socket M6×18	4	
16	157QMJ-050016	六角法兰螺丝M6×28	hexagon socket M6×28	2	
17	157QMJ-050017	六角螺丝M5×12	hexagon socket M5×12	2	
18	157QMJ-050018	六角法兰螺丝M6×28	hexagon socket M6×28	1	
19	157QMJ-050019	六角法兰螺丝M6×35	hexagon socket M6×35	1	
20	157QMJ-050020	六角法兰螺丝M6×95	hexagon socket M6×95	4	
21	157QMJ-050021	六角法兰螺丝M6×100	hexagon socket M6×100	1	
22	157QMJ-050022	六角法兰螺丝M6×110	hexagon socket M6×110	2	
23	157QMJ-050023	线圈线夹	Clamper	1	

# XT150GK ENGINE



NO.	Part No.	Description	Description in English	数量Qty	备注Remark
1	157QMJ-060001	齿轮箱盖	cover, gear case	1	
2	157QMJ-060002	齿轮箱盖垫片	cushion, gear case cover	1	
3	157QMJ-060003	定位销8×14	LOCATION PIN8×14	2	
4	157QMJ-060004	轴承6204	SHAFT 6204	1	
5	157QMJ-060005	轴承6203	SHAFT 6203	1	
6	157QMJ-060006	轴承6202	SHAFT 6202	1	
7	157QMJ-060007	油封20×32×6	OIL SEAL 20×32×6	1	
8	157QMJ-060008	铝垫8.2×18.0×2.0	AL WASHER8.2×18.0×2.0	2	
9	157QMJ-060009	六角法兰螺丝M8×13	hexagon socket M8×13	2	
10	157QMJ-060010	六角法兰螺丝M6×28	hexagon socket M6×28	3	
11	157QMJ-060011	六角法兰螺丝M6×35	hexagon socket M6×35	3	
12	157QMJ-060012	驱动轴	DRIVE SHAFT	1	

# XT150GK ENGINE



KINROAD XINTIAN Motorcycle Manufacture CO.,LTD

## XT150GK ENGINE

NO.	Part No.	Description	Description in English	数量Qty	备注Remark
1	157QMJ-070001	左大盖	BIG COVER L	1	
2	157QMJ-070002	左大盖垫片	COVER, BIG COVER L	1	
3	157QMJ-070003	皮带743×20×32	belt 743×20×32	1	
4	157QMJ-070004	起动轴	START SHAFT	1	
5	157QMJ-070005	从动轮（后普利）	driver	1	
6	157QMJ-070006	主动轮（前普利）	driven	1	
7	157QMJ-070007	滚珠	ball bearing	6	
8	157QMJ-070008	从动齿轮	GEAR, Plate Sub Assy Drive	1	
9	157QMJ-070009	垫片13.0×24.0×2.0	WASHER13.0×24×2.0	2	
10	157QMJ-070010	六角带垫螺母M12	Blot Flange with washerM12	2	
11	157QMJ-070011	定位销8×14	Pin Dowel 8×14	2	
12	157QMJ-070012	起动轴压板	Plate, STARTER SHIFT	1	
13	157QMJ-070013	六角法兰螺丝M6×14	hexagon socket M6×14	1	
14	157QMJ-070014	六角法兰螺丝M6×40	hexagon socket M6×40	6	
15	157QMJ-070015	六角法兰螺丝M6×100	hexagon socket M6×100	2	

KINROAD

## XT150GK ENGINE



NO.	Part No.	Description	Description in English	数量Qty	备注Remark
1	157QMJ-080001	A罩	COVER A	1	
2	157QMJ-080002	B罩	COVER B	1	
3	157QMJ-080003	油管夹	OIL PIPE NIP	1	
4	157QMJ-080004	风扇罩	COVER, FAN	1	
5	157QMJ-080005	通气管组件	PIPE, AIR	1	
6	157QMJ-080006	溢流管夹	Flooding CLIP, PIPE	1	
7	157QMJ-080007	自攻螺丝M5×16	Self tapping screwM5×16	4	
8	157QMJ-080008	六角法兰螺丝M6×20	Blot Flange M6×20	3	